

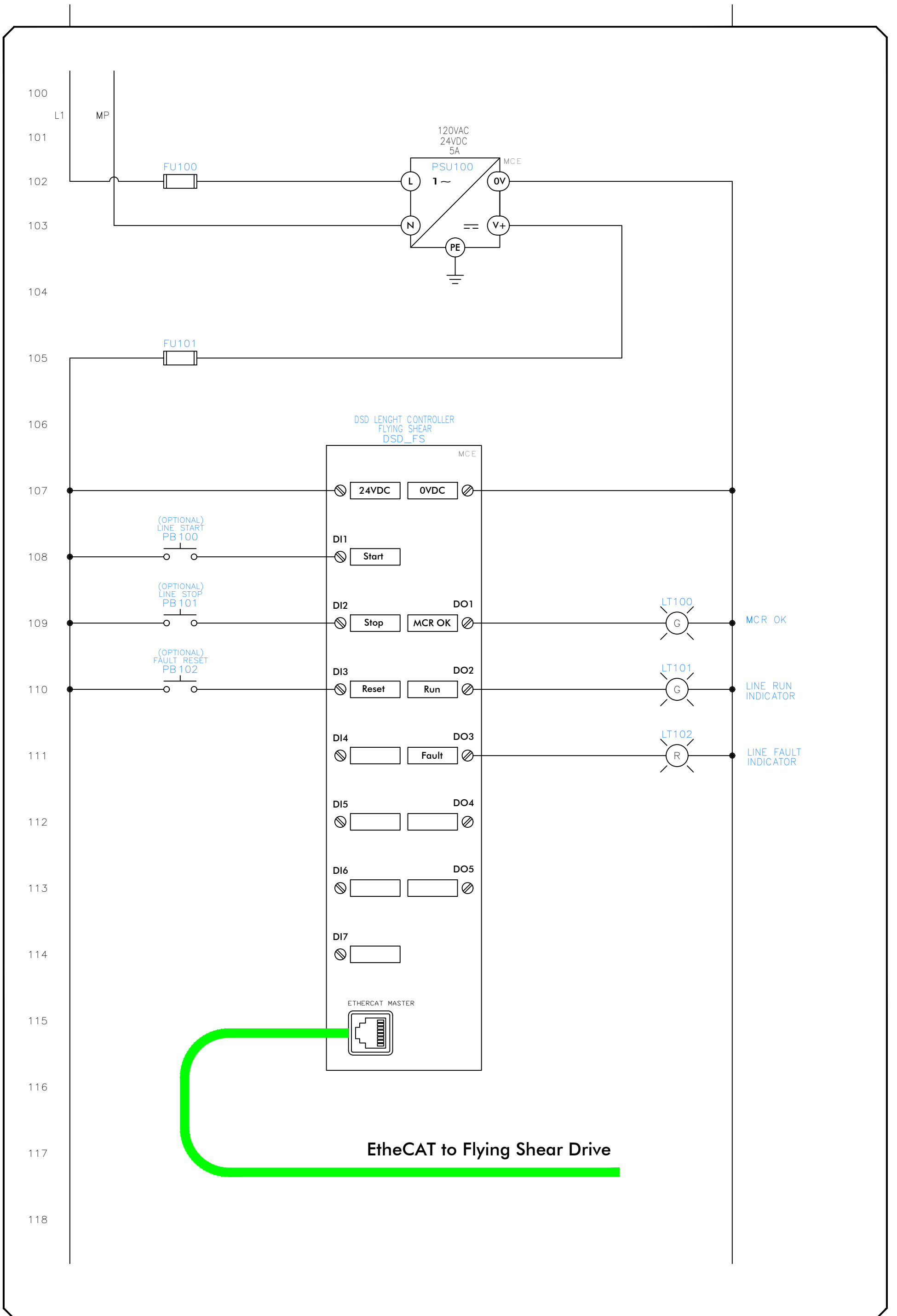
CAD DWG FILE C:\Users\Davood Moradi\Documents\Acade 2020\AeData\Proj\DSD FS\FS001.dwg

DSD Flying Shear Electrical Schematics		NO.	DATE	REVISION	BY
		FS001			
ENGINEER	CHECKED BY	SHEET NO.			
JOB NO.	DRAWN BY	1 OF 9			
SCALE	DATE				

DSD CONTROLS.
A CREATIVE SOLUTION

www.dsdcontrols.com

info@dsdcontrols.com

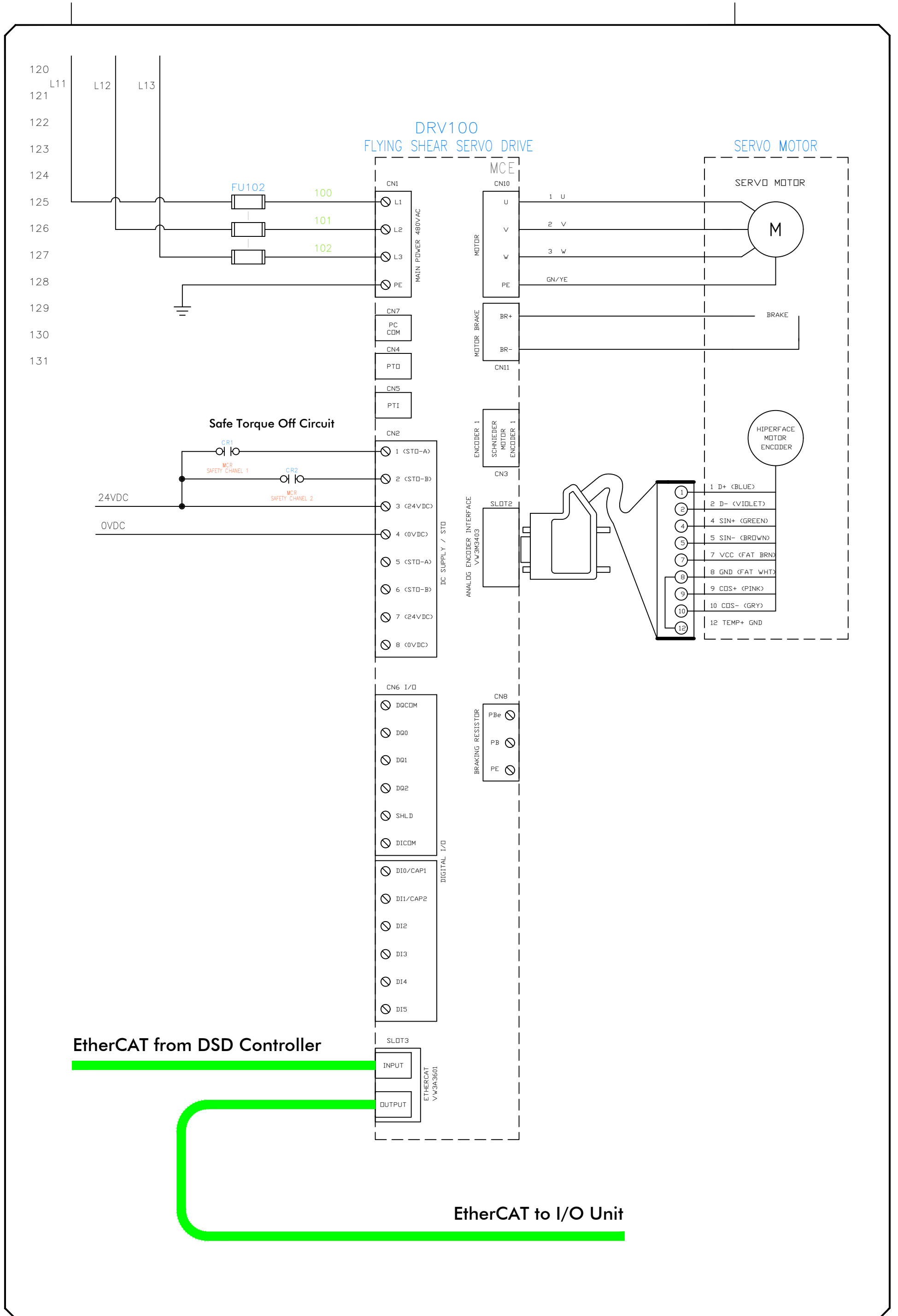


CAD DWG FILE C:\Users\Davood Moradi\Documents\Acade 2020\AeData\Proj\DSD FS\FS002.dwg

DSD Flying Shear Electrical Schematics		NO.		DATE		REVISION		BY	
Main Controller Wiring		DWG NO.		FS002					
ENGINEER	CHECKED BY	SHEET NO.		2 OF 9					
JOB NO.	DRAWN BY								
SCALE	DATE								

DSD CONTROLS.
A CREATIVE SOLUTION

www.dsdcontrols.com info@dsdcontrols.com



EtherCAT from DSD Controller

EtherCAT to I/O Unit

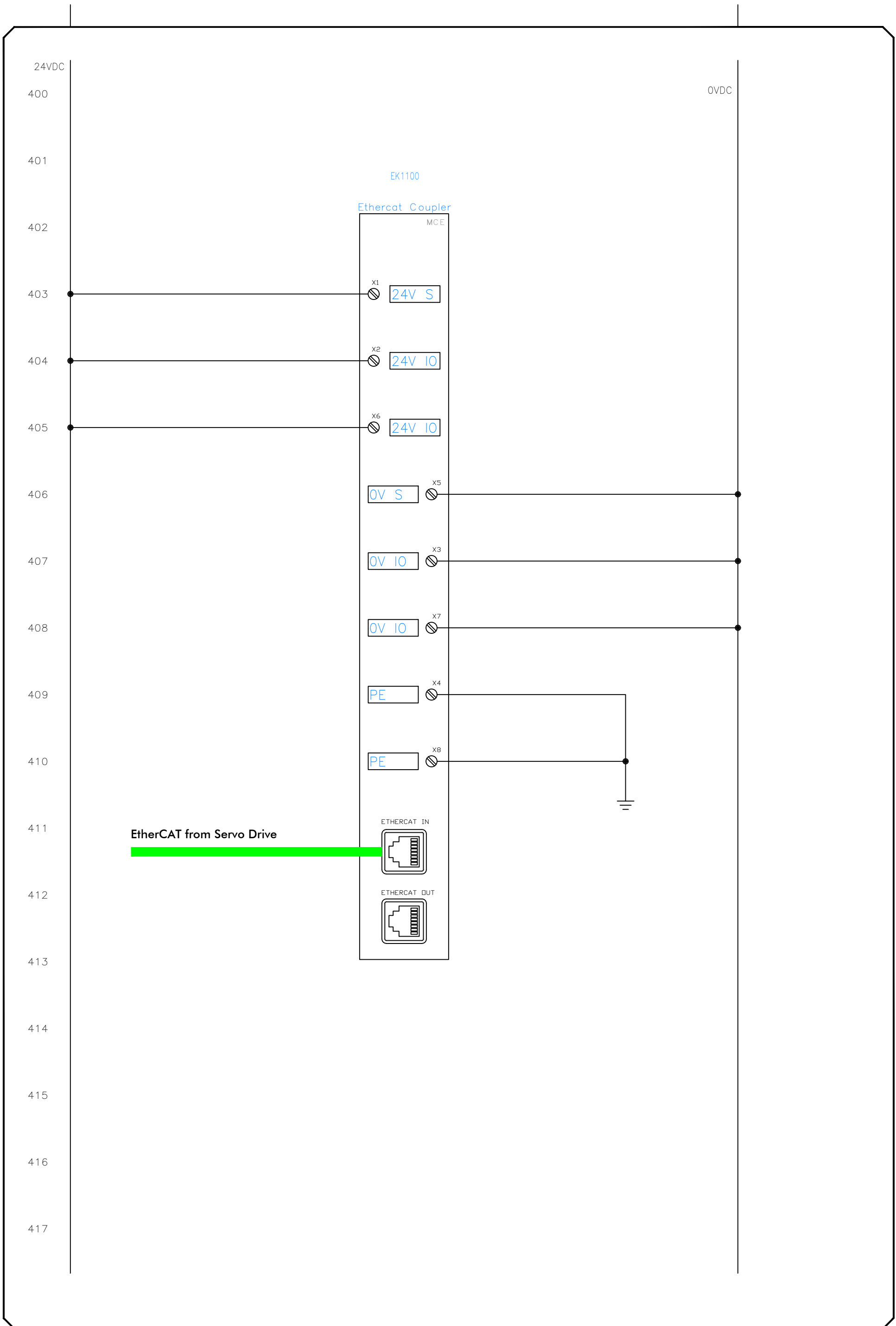
CAD DWG FILE C:\Users\Davood Moradi\Documents\Acade 2020\AeData\Proj\DSD FS\FS003.dwg

DSD Flying Shear Electrical Schematics		NO.		DATE		REVISION		BY	
Flying Shear Servo Drive		DSD		2023		1			
ENGINEER		CHECKED BY		DSD		FS003			
JOB NO		DRAWN BY		DSD		3 OF 9			
SCALE		DATE		DSD					

DSD CONTROLS.
A CREATIVE SOLUTION

www.dsdcontrols.com

info@dsdcontrols.com



CAD DWG FILE C:\Users\Davood Moradi\Documents\Acade 2020\AeData\Proj\DSD FS\FS004.dwg

DSD Flying Shear Electrical Schematics		NO.		DATE		REVISION		BY	
EK1100 EtherCAT Coupler		DWG NO.		FS004					
ENGINEER	CHECKED BY	SHEET NO.		4 OF 9					
JOB NO.	DRAWN BY								
SCALE	DATE								

DSD CONTROLS.
A CREATIVE SOLUTION

www.dsdcontrols.com

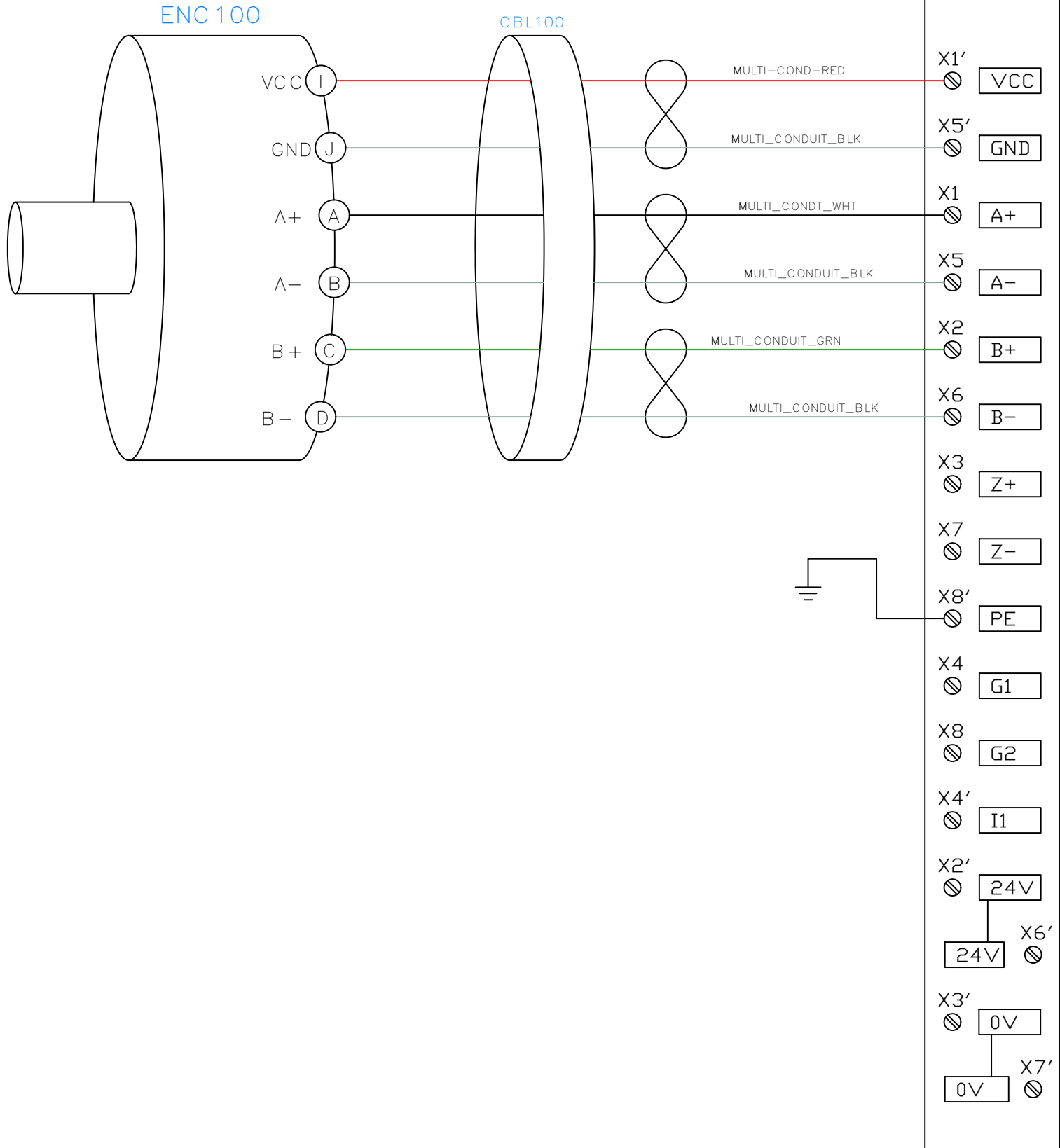
info@dsdcontrols.com

EL5101
ENCODER INTERFACE

LINE ENCODER

ENCODER CABLE

E11



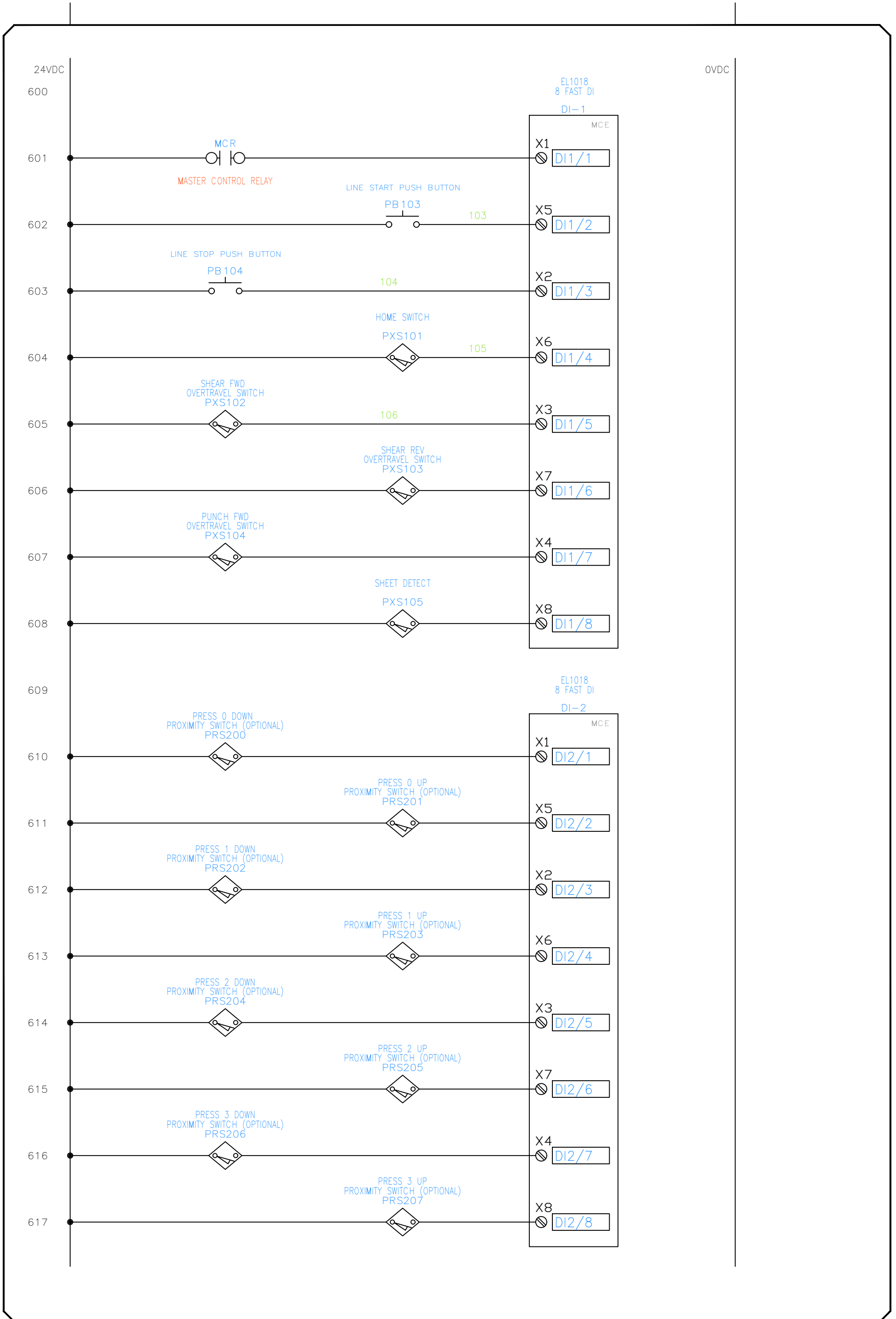
CAD DWG FILE C:\Users\Davood Moradi\Documents\Acade 2020\AeData\Proj\DSD FS\FS005.dwg

DSD Flying Shear Electrical Schematics		NO.		DATE		REVISION		BY	
Line Encoder		DSD FS005							
ENGINEER	CHECKED BY	SHEET NO		5 OF 9					
JOB NO	DRAWN BY								
SCALE	DATE								

DSD CONTROLS.
A CREATIVE SOLUTION

www.dsdcontrols.com

info@dsdcontrols.com



CAD DWG FILE C:\Users\Davood Moradi\Documents\Acade 2020\AeData\Proj\DSD FS\FS006.dwg

DSD Flying Shear Electrical Schematics		NO.		DATE	REVISION	BY
Digital Input 1&2		DSD				
ENGINEER	CHECKED BY	FS006		SHEET NO		
JOB NO	DRAWN BY	6 OF 9				
SCALE	DATE					

DSD CONTROLS.
A CREATIVE SOLUTION

www.dsdcontrols.com

info@dsdcontrols.com

700
701
702
703
704
705
706
707
708
709
710
711
712
713
714
715
716
717

EL1018
8 FAST DI
DI-3

MCE

GAG 1 ENGAGE
PROXIMITY SWITCH (OPTIONAL)
PXS300

X1
DI3/0

GAG 2 ENGAGED
PROXIMITY SWITCH (OPTIONAL)
PXS301

X5
DI3/1

GAG 3 ENGAGE
PROXIMITY SWITCH (OPTIONAL)
PXS302

X2
DI3/2

GAG 4 ENGAGED
PROXIMITY SWITCH (OPTIONAL)
PXS303

X6
DI3/3

GAG 1 RELEASED
PROXIMITY SWITCH (OPTIONAL)
PXS304

X3
DI3/4

GAG 2 RELEASED
PROXIMITY SWITCH (OPTIONAL)
PXS305

X7
DI3/5

GAG 3 RELEASED
PROXIMITY SWITCH (OPTIONAL)
PXS306

X4
DI3/6

GAG 4 RELEASED
PROXIMITY SWITCH (OPTIONAL)
PXS307

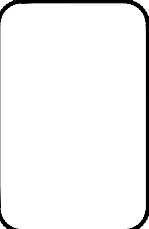
X8
DI3/7

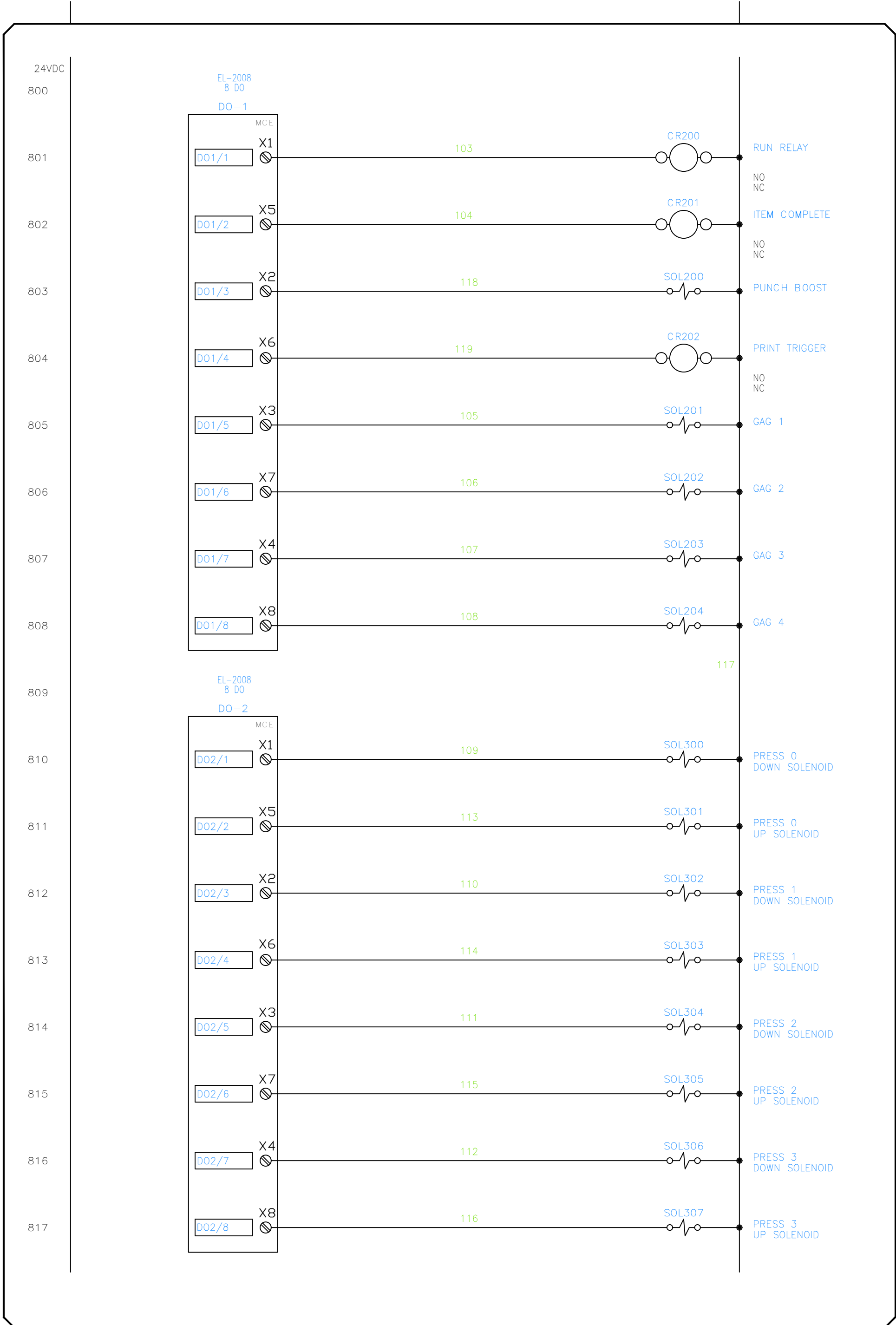
CAD DWG FILE C:\Users\Davood Moradi\Documents\Acade 2020\AeData\Proj\DSD FS\FS007.dwg

DSD Flying Shear Electrical Schematics		NO.		DATE	REVISION	BY
Digital Input 3		DWG NO.		FS007		
ENGINEER	CHECKED BY	SHEET NO.		7 OF 9		
JOB NO.	DRAWN BY					
SCALE	DATE					

DSD CONTROLS.
A CREATIVE SOLUTION

www.dsdcontrols.com info@dsdcontrols.com





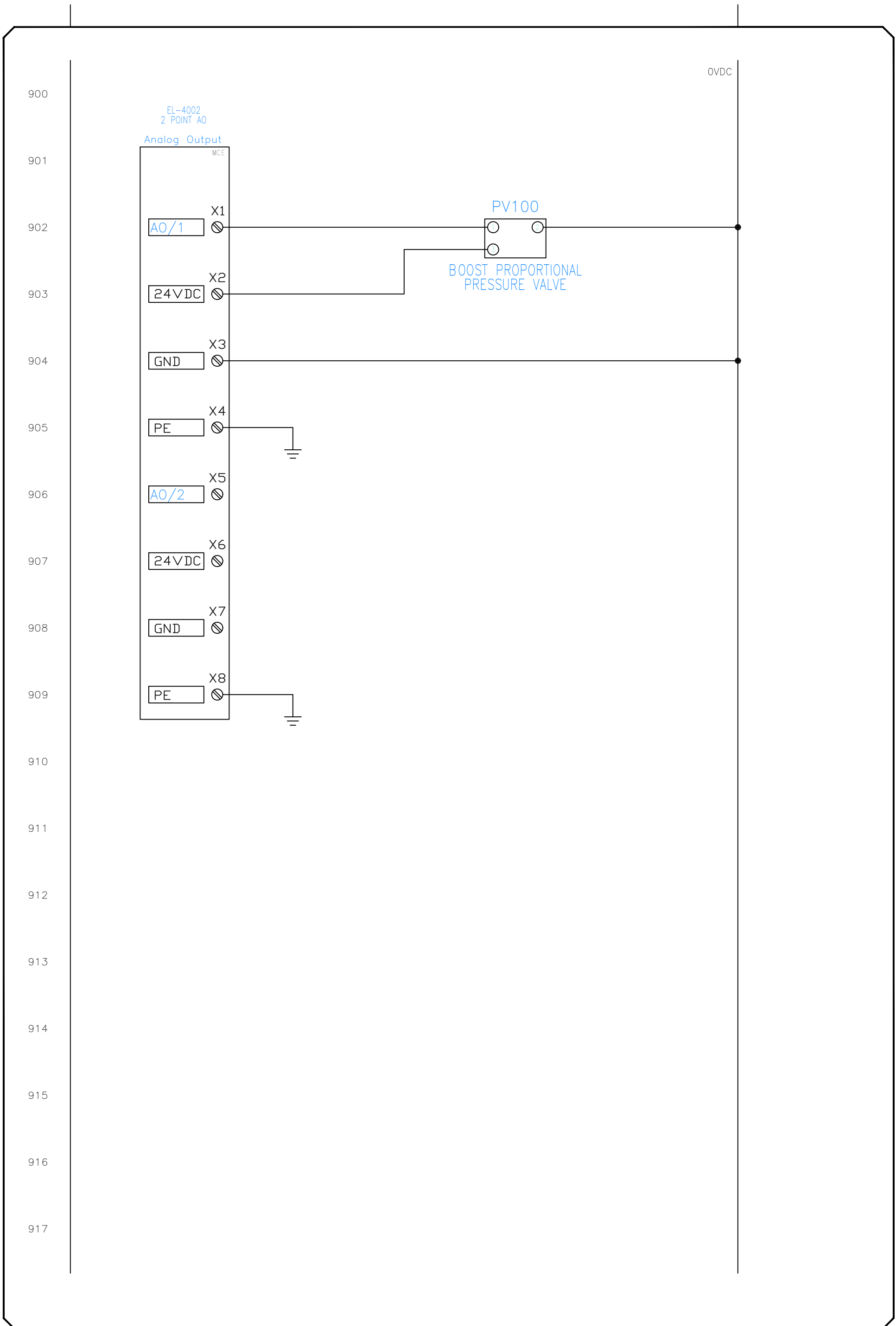
CAD DWG FILE C:\Users\Davaod Moradi\Documents\Acade 2020\AeData\Proj\DSD FS\FS008.dwg

DSD Flying Shear Electrical Schematics		NO.		DATE		REVISION		BY	
Digital Outputs 1&2		D01		D02		D03		D04	
ENGINEER		CHECKED BY		SHEET NO.		FS008			
JOB NO.		DRAWN BY		8 OF 9					
SCALE		DATE							

DSD CONTROLS.
A CREATIVE SOLUTION

www.dsdcontrols.com

info@dsdcontrols.com



CAD DWG FILE C:\Users\Davood Moradi\Documents\Acade 2020\AeData\Proj\DSD FS\FS009.dwg

DSD Flying Shear Electrical Schematics		NO.		DATE		REVISION		BY	
Analog Output		DWG NO.		FS009		SHEET NO.		9 OF 9	
ENGINEER	CHECKED BY	DATE		DATE		SCALE		DATE	

DSD CONTROLS.
A CREATIVE SOLUTION

www.dsdcontrols.com

info@dsdcontrols.com